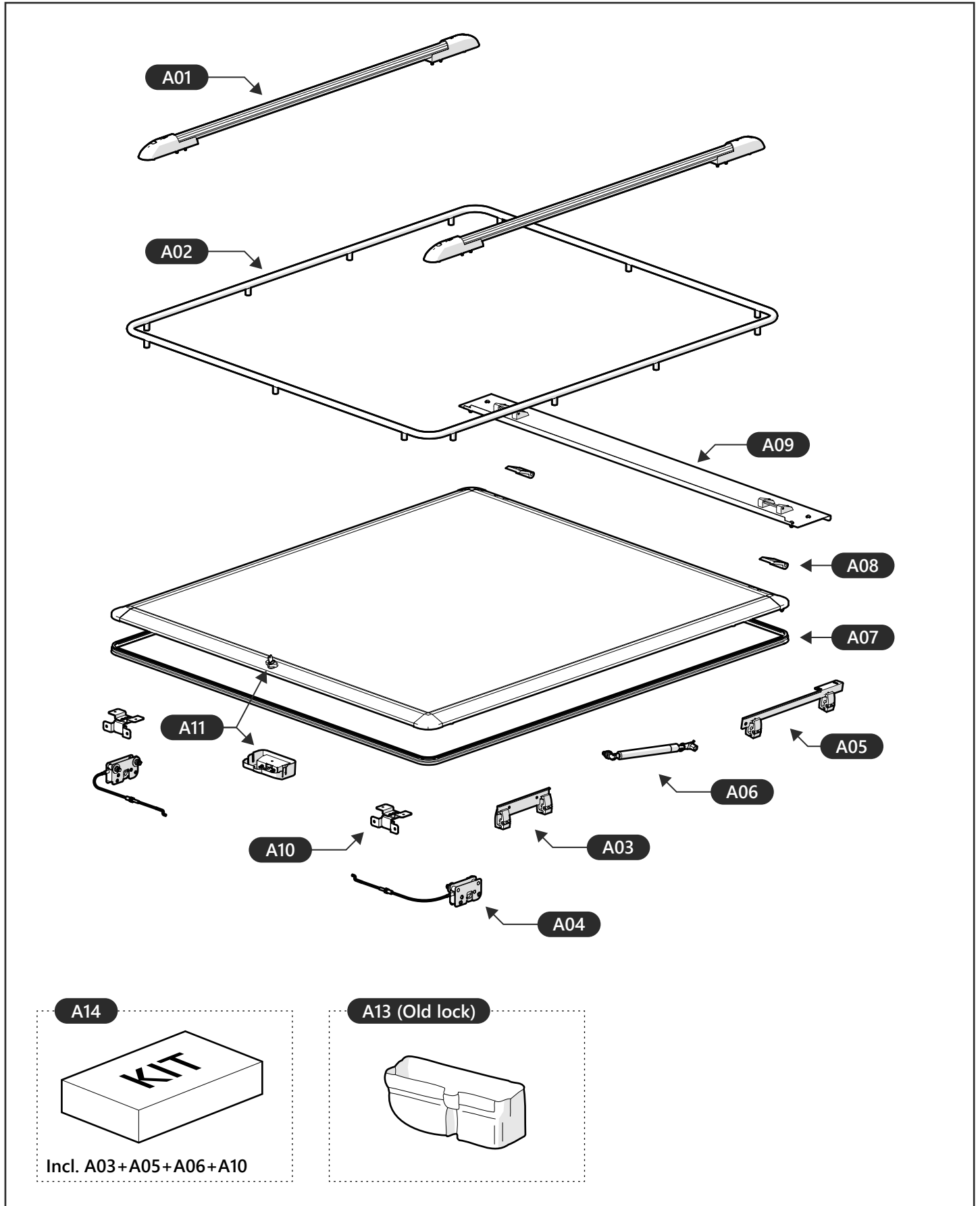


# Mountain Top Tonneau Cover

## Spare parts



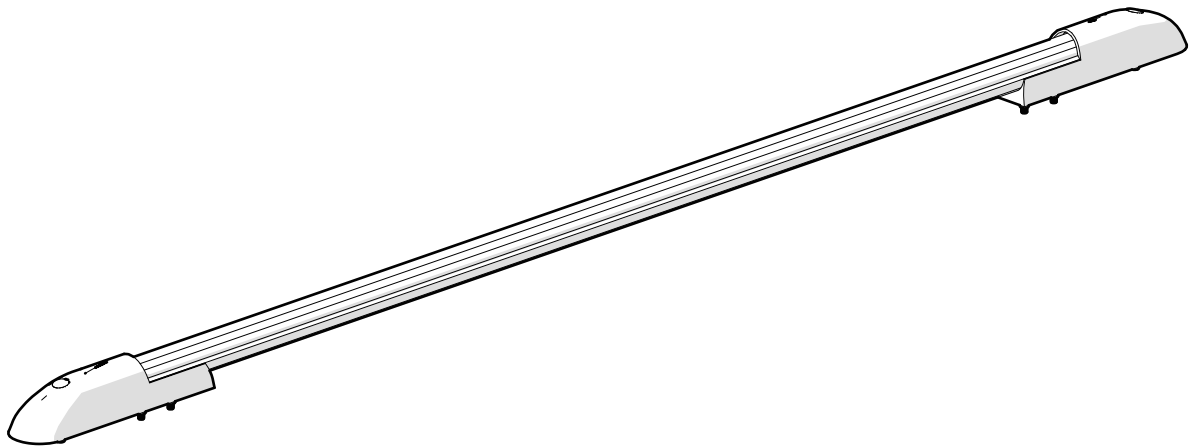
# Mountain Top Tonneau Cover

Spare parts

Mountain Top®  
INDUSTRIES APS

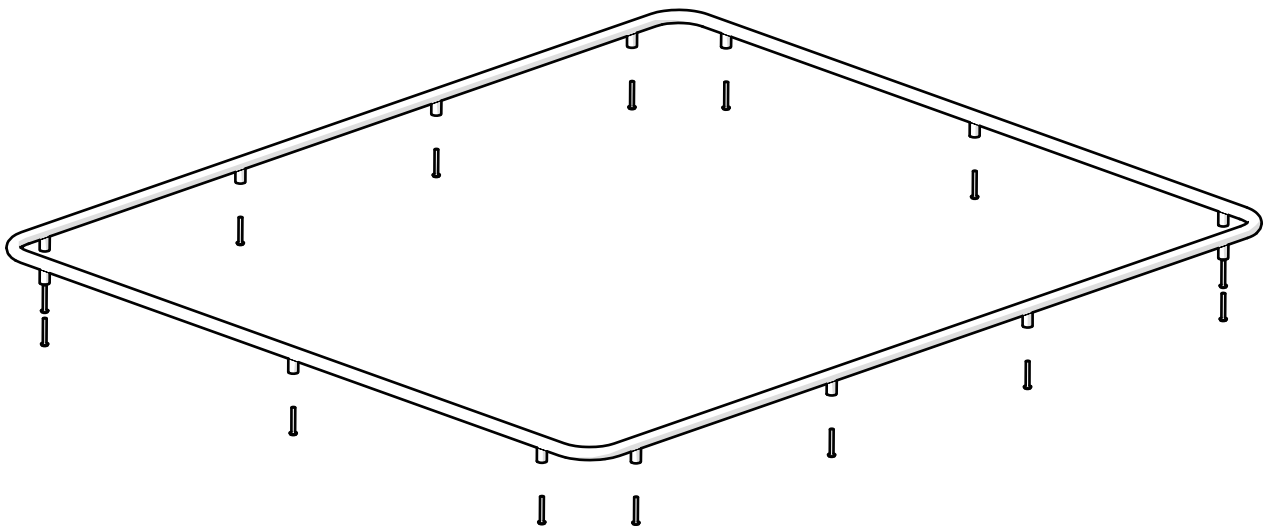


A01



x 2

A02



882 200

Issue 6

27/03-2017

Spare parts, MT Tonneau Cover

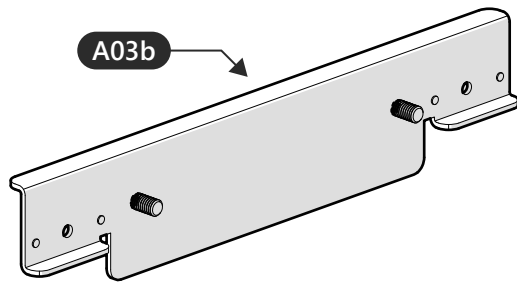
Page 2 / 8

# Mountain Top Tonneau Cover

## Spare parts

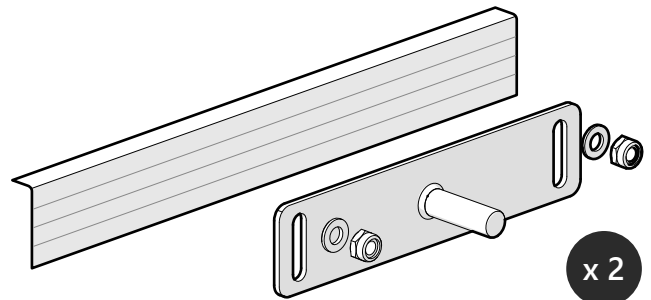


A03



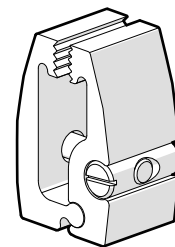
A03b

A03k

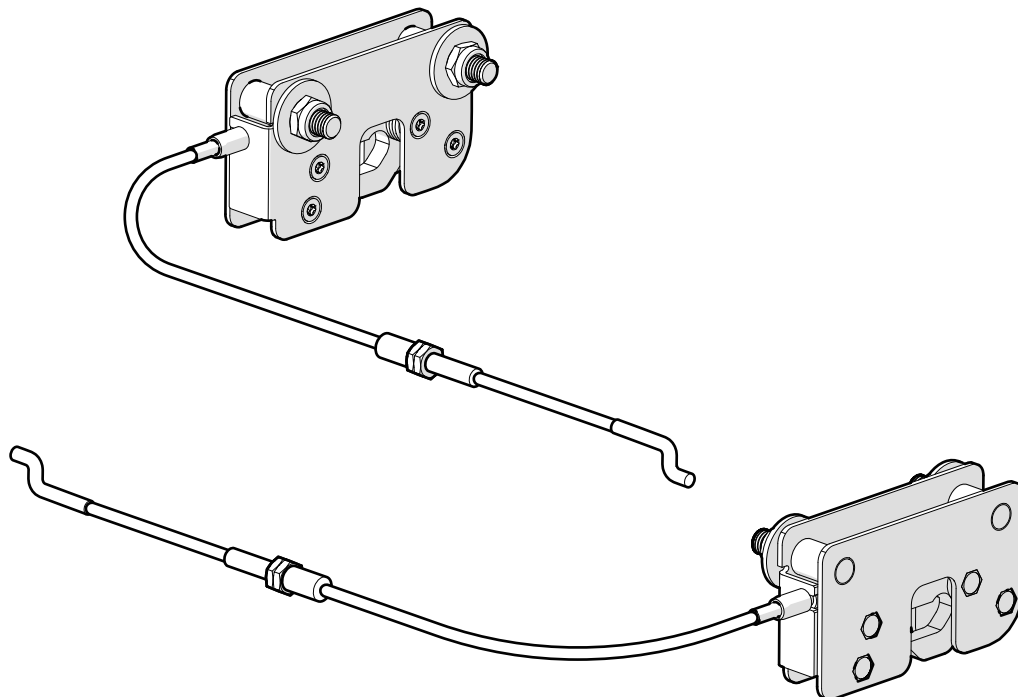


x 2

A03j



A04

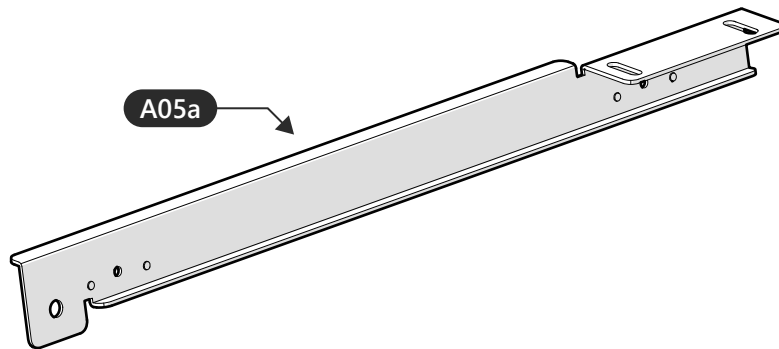


# Mountain Top Tonneau Cover

## Spare parts

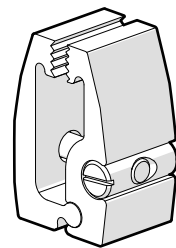


A05

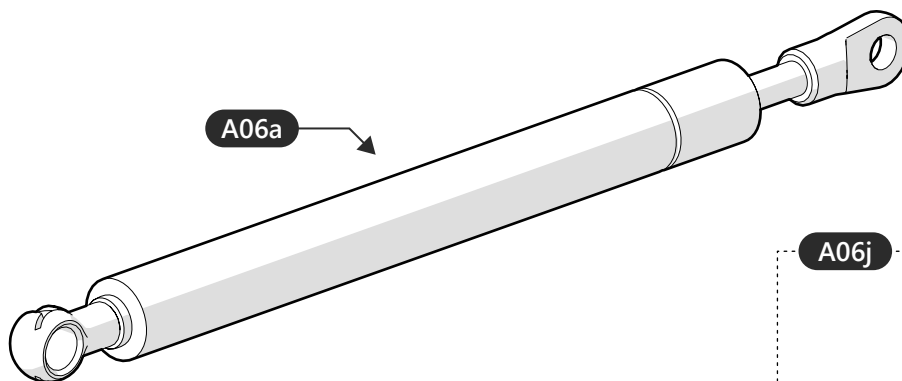


A05a

A03j

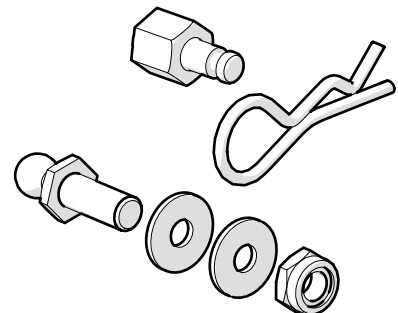


A06



A06a

A06j



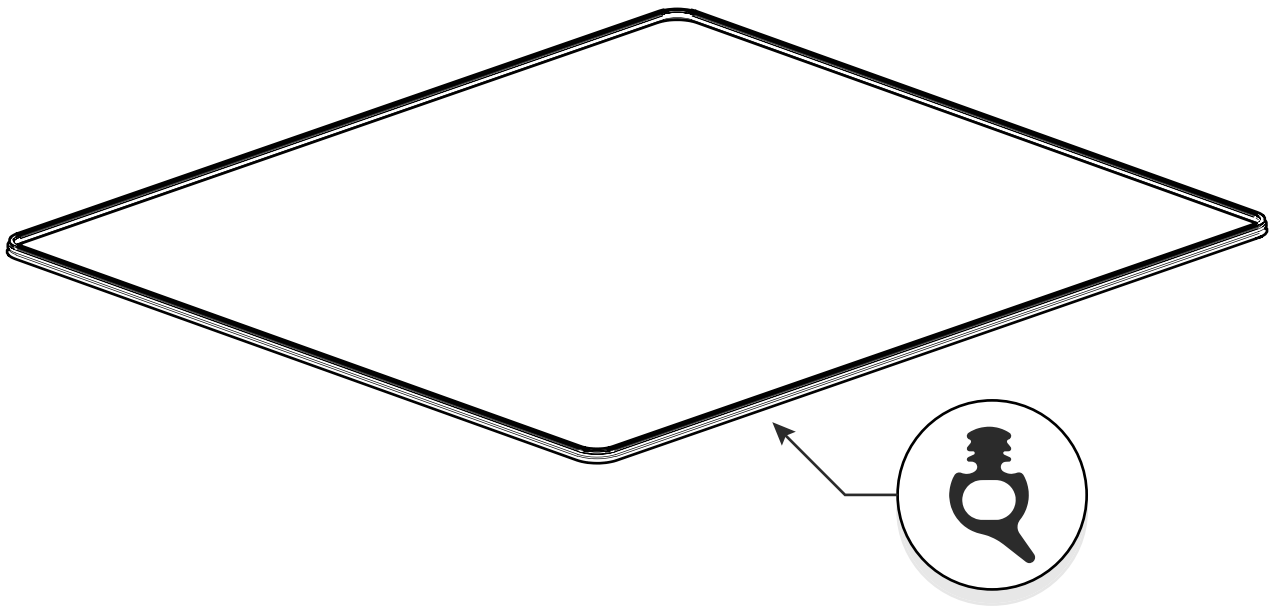
# Mountain Top Tonneau Cover

Spare parts

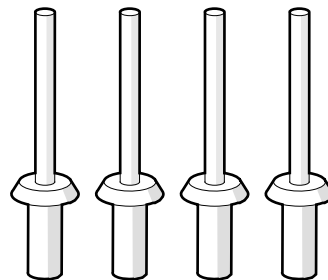
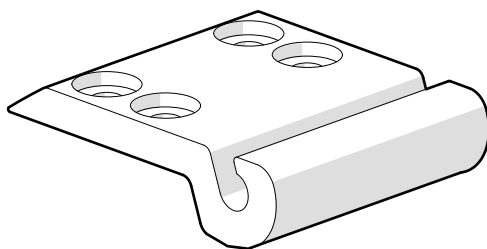
Mountain Top®  
INDUSTRIES APS



A07



A08



x 2

882 200

Issue 6

27/03-2017

Spare parts, MT Tonneau Cover

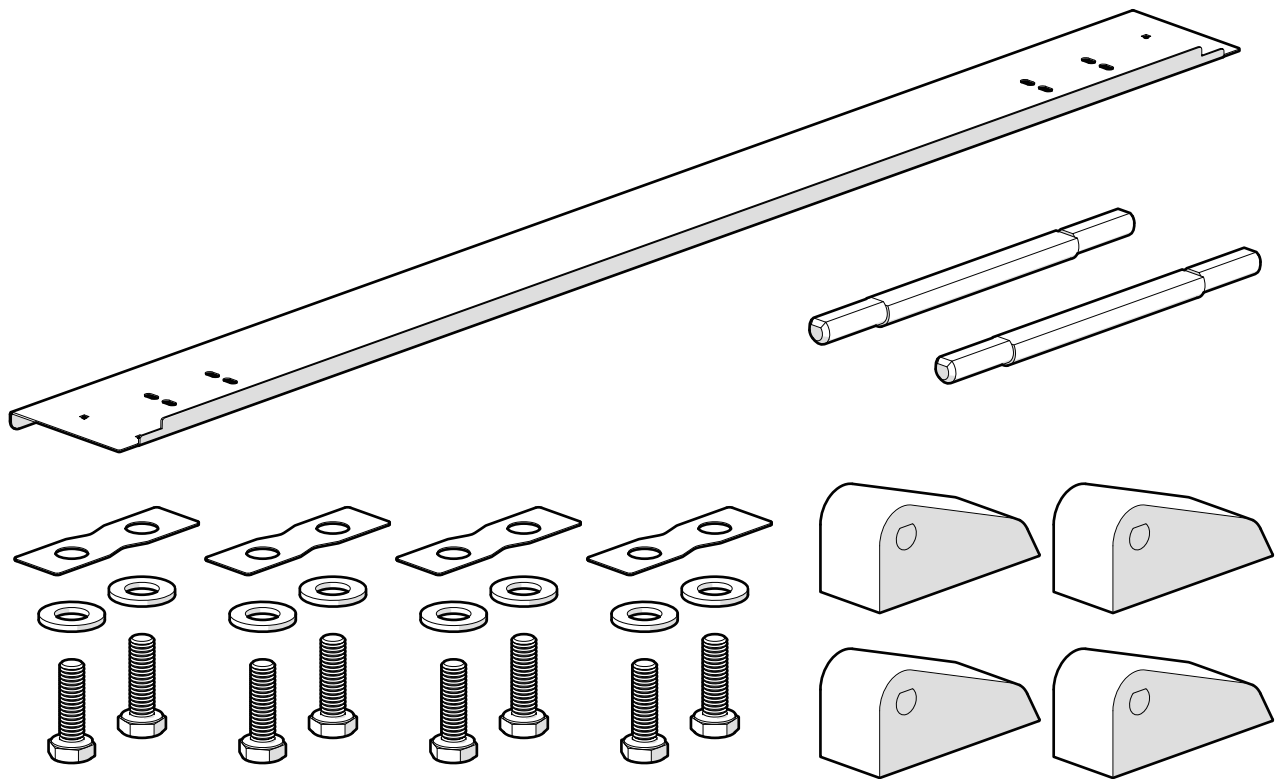
Page 5 / 8

# Mountain Top Tonneau Cover

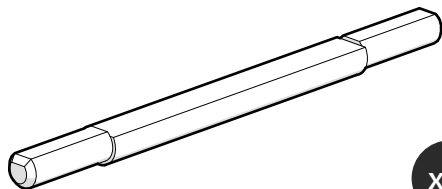
## Spare parts



A09

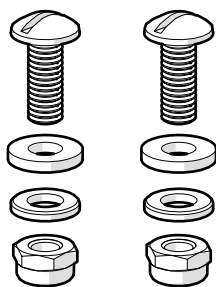


A09g



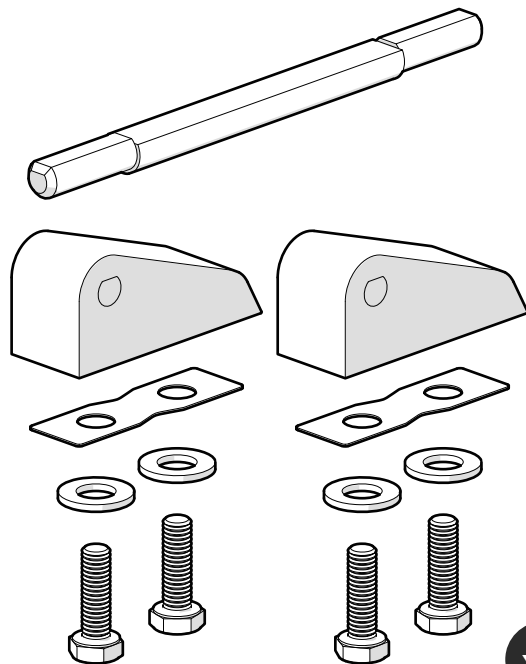
x 2

A09k



x 2

A09l



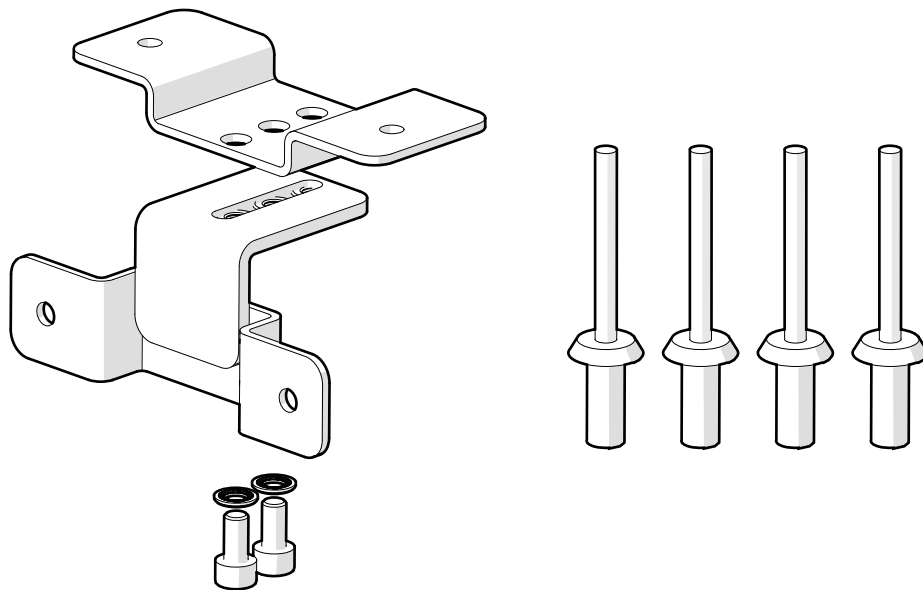
x 2

# Mountain Top Tonneau Cover

## Spare parts

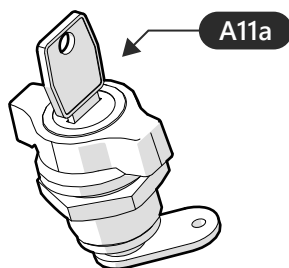


A10

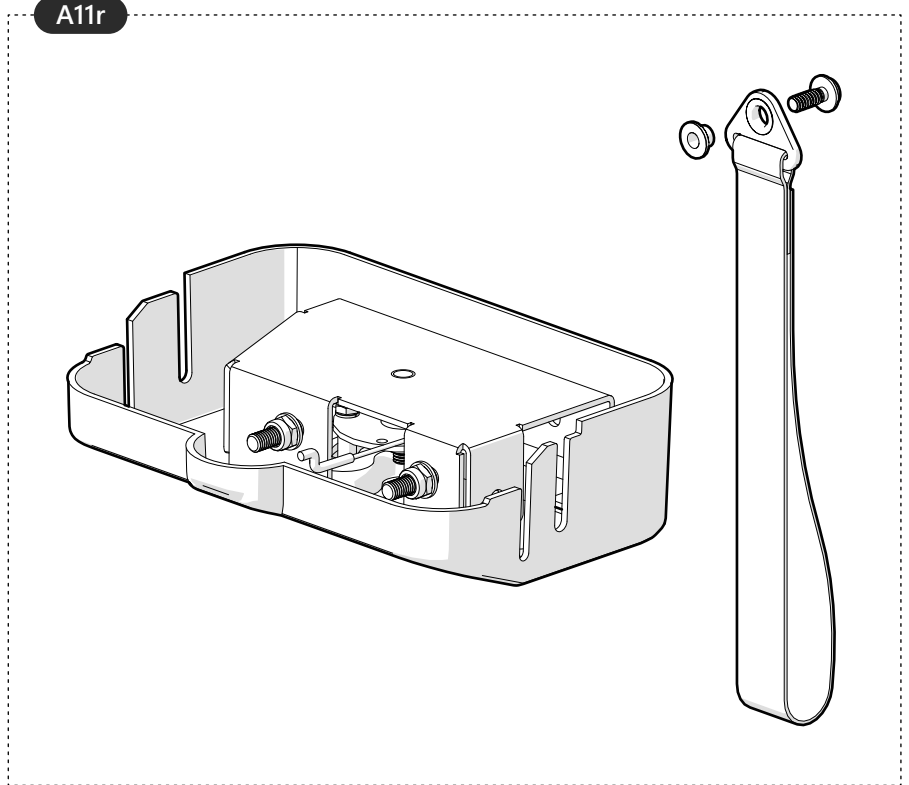


x 2

A11



A11r



# Mountain Top Tonneau Cover

## Spare parts



### A13 (Old lock)

